

# TechNotes

## CABLE INTERFACE MODULES

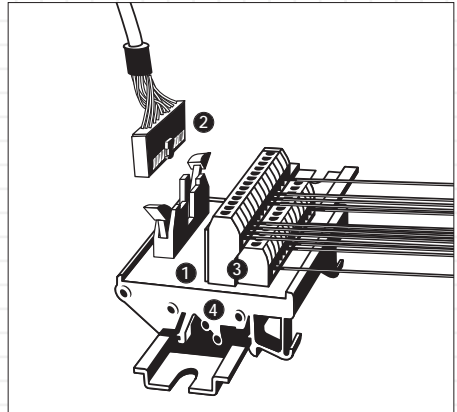
WTN510STD

### IDC Standard and with Accessory Holes

#### Control Cable to Field Wiring Modules

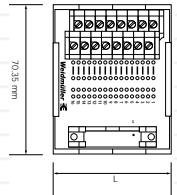
Weidmüller Cable Interface Modules come in a wide range of cable types, including D-Sub, IDC, Elco, RJ, T-Con, and Honda along with specialty PLC interface types.

- ① Printed Circuit Board
- ② Cable Connector
- ③ Field Wiring Terminal Blocks
- ④ Housing



### IDC (Insulation Displacement Connection) Part Selection Table

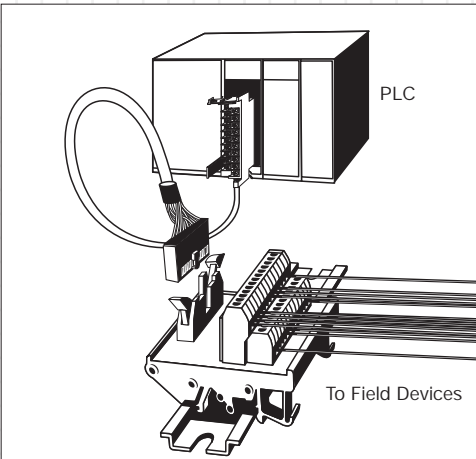
Poles	Description	Part No.			General information and specifications			
		Standard*		w/accessory holes	Connector Retainer	Max. Operating Voltage	Current	Module Dimensions (mm/in)
		Male	Male	Female				L x W x H
10	RI-IDC 10	915911	914890	n/a	Latch	125 V	1.0 A	39.88/70/70 (1.57*/2.75*/2.75")
14	RI-IDC 14	915912	914891	n/a	Latch	125 V	1.0 A	49.78/70/70 (1.96*/2.75*/2.75")
16	RI-IDC 16	915913	914892	n/a	Latch	125 V	1.0 A	55.12/70/70 (2.17*/2.75*/2.75")
20	RI-IDC 20	915914	914893	n/a	Latch	125 V	1.0 A	64.77/70/70 (2.55*/2.75*/2.75")
26	RI-IDC 26	915915	914894	n/a	Latch	125 V	1.0 A	84.84/70/70 (3.34*/2.75*/2.75")
30	RI-IDC 30	915916	914895	n/a	Latch	125 V	1.0 A	94.74/70/70 (3.73*/2.75*/2.75")
34	RI-IDC 34	915917	914896	n/a	Latch	125 V	1.0 A	104.65/70/70 (4.12*/2.75*/2.75")
40	RI-IDC 40	915918	914897	n/a	Latch	125 V	1.0 A	120.14/70/70 (4.73*/2.75*/2.75")
50	RI-IDC 50	915919	914898	n/a	Latch	125 V	1.0 A	142.49/70/70 (5.60*/2.75*/2.75")
60	RI-IDC 60	915920	914899	n/a	Latch	125 V	1.0 A	175.01/70/70 (6.89*/2.75*/2.75")
64	RI-IDC 64	915921	914900	n/a	Latch	125 V	1.0 A	181.61/70/70 (7.15*/2.75*/2.75")



Module with accessory holes shown above



### Typical Application

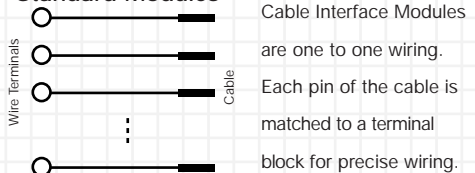


Interface PLC Controller to field devices using DIN-rail mounted cable interface modules.

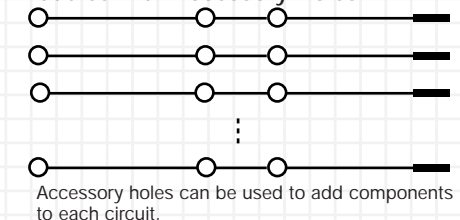
### IDC Type Specifications

Voltage	125 VAC
Current@45°C	1.0A
Overall Dimensions	(see chart)
Operating Temperature	-25°C...+50°C
Storage Temperature	-40°C...+70°C
Screw Terminal Wire Size	#26...12 AWG
Terminal Wire Marking	DEK 5
Insulation Strip Length	7 mm
Screw Terminal Tightening Torque Nm(lb.In*)	
Standard	0.57 (5.0)
With Accessory Holes	0.51 (4.4)

### Standard Modules



### Modules with Accessory Holes



**Weidmüller**

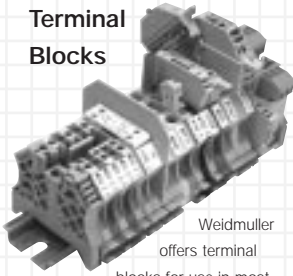
The Interface Partner

1-800-849-9343

# Weidmuller Products

## 1 DIN-Rail

### Terminal Blocks



Weidmuller offers terminal blocks for use in most wiring applications. Terminal blocks are available with both screw clamp and tension clamp connection systems for TS 32 and TS 35 DIN-rail.

#### Screw Clamp Terminal Blocks for TS 35 Rail

- Single and Multi-Level Feedthrough
- Circuit Protection: Fuse (standard and with blown fuse indication) Circuit Breakers (Single/ Double Pole)
- Disconnect (lever, slide link, plug)
- Ground
- Pluggable

#### Screw Clamp Terminal Blocks for TS 32 Rail

- Single and Multi-Level Feedthrough
- Circuit Protection: Fuse (standard and with blown fuse indication) Circuit Breakers (Single/Double Pole)
- Disconnect (lever, slide link, pull-pin)
- Ground

#### Tension Clamp Terminal Blocks for TS 35 Rail

- Single and Multi-Level Feedthrough
- Fuse (standard and with blown fuse indication)
- Disconnect (lever, plug)
- Ground
- Pluggable

#### Assembly and Installation Accessories:

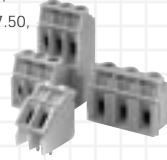
- Pre-Assembled Terminal Block Modules
- DIN-Rail: TS 35, 32 and 15
- Cable Markers
- Tools: Screwdrivers, Wire Strippers, Crimpers, Cutters
- Terminal Marking System

## 2 Printed Circuit Board Products

Weidmuller offers a range of products to connect discrete wiring to printed circuit boards (PCBs), both in fixed terminals and two-piece connectors.

### PCB Terminal Blocks

- Pitch of 3.50, 5.00, 5.08, 7.50, 7.62, and 10.16 mm
- Single, Double and Triple Levels
- Orientations of 90°, 135°(45°), and 180°



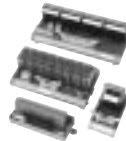
### PCB Connectors

- Pitch of 3.50, 5.00, 5.08, 7.50, and 7.62 mm
- Single and Double Levels
- Plug orientations of 90°, 135°(45°), 180°, and 270°
- Header orientations of 90°, 135°(45°), and 180°



## 3 Interface Modules

Weidmuller has developed a complete range of interface modules that add functionality to DIN-rail assembly.



### Cable Interface Modules

- PLC Interface: Allen-Bradley, GE Fanuc, Siemens, Modicon
- Standard Connector Transition Modules
- Custom Modules

### Signal Interface Modules

- Relays and Optocouplers
- Signal Conditioners and Converters: Analog and Digital
- Surge Protection
- Power Supplies: Linear and Switchmode, AC/DC, DC/DC
- Custom Modules



## 4 Hazardous Area Products

Weidmuller offers enclosures in a variety of materials for protection of your assemblies and equipment. We also offer DIN-rail mounted intrinsic safety products for use in hazardous areas.

### Increased Safety Enclosures

- Enclosures: Stainless Steel, Steel, Aluminum and Polyester
- Fully Assembled Ex'e Enclosures

### Intrinsically Safe Interfaces

- Zener Barriers
- Galvanic Isolators



## 5 Heavy Duty Connectors

Weidmuller offers a broad range of highly durable, heavy duty connectors for a variety of industrial applications.

- Basic Connectors
- Through Panel Connectors
- Modular Connectors
- Rail Mount Adapters



# Weidmüller

The Interface Partner

821 Southlake Blvd.

Richmond, Virginia

Telephone: (800) 849-9343

Facsimile: (804) 379-2593

Email: [info@weidmuller.com](mailto:info@weidmuller.com)

Website: <http://www.weidmuller.com>